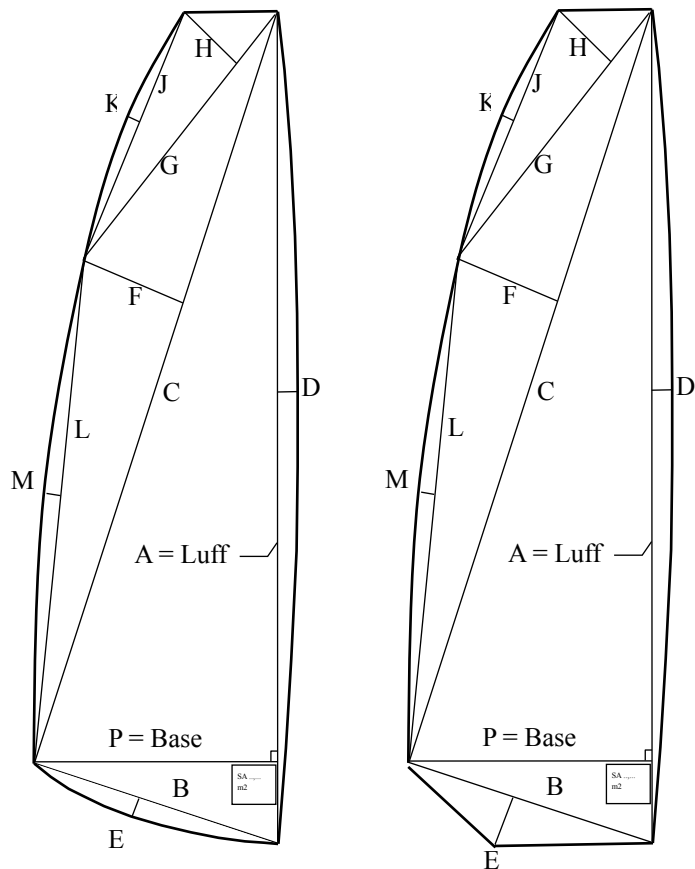


International A-Division Catamaran Measurement Certificate

Sail Measurement Form

Refer current measurers guidelines when completing form.
www.a-cat.org

All measurements are in meters and to three decimal places.



Sail Number	DEN 1		
Sail	Measure		Measure
Luff = A	9,046	H	0,290
D	0,103	J	2,994
C	8,376	K	0,028
F	0,370	L	5,429
G	2,963	M	0,119
Base = P	1,944	B	2,096
E	0,464		
Main Triangle	$1/2 (A \times P)$	8,793	
Luff Round	$2/3 (A \times D)$	0,621	
Foot Round	$2/3 (B \times E)$		
Foot Area	$1/2 (B \times E)$	0,486	<input checked="" type="checkbox"/>
Roach Area 1	$1/2 (C \times F)$	1,550	
Roach Area 2	$1/2 (H \times G)$	0,430	
Roach Area 3	$2/3 (J \times K)$	0,056	
Roach Area 4	$2/3 (L \times M)$	0,431	
Additional area (see comments)		0,046	
Sail Area	SA	12,411	[m2]

Total Rig Area of Mast & Sail cannot exceed 13.94 sqm

FOOT ROUND: $2/3(B \times E)$

FOOT AREA $1/2(B \times E)$

Choose the appropriate calculation depending on sail shape.

Measurer to mark the following on the starboard tack of sail.:

SA = ***

P = ***

Date ***

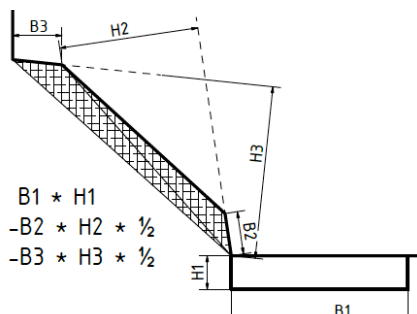
A = ***

Signature ***

Sail Button/ Serial No: 20240207001

Sailmakers Name: Mischa Sails

Comments: Comment and provide diagram in this section on any sail measurements that cannot be covered by above calculations. Show calculations applicable and transfer this figure to the section above, include negative sign(-) if the area is negative.



B1:	1,361
H1:	0,083
B2:	0,098
H2:	0,304
B3:	0,185
H3:	0,568

B1 x B2	0,113
-B2 x H2 x 1/2	-0,015
-B3 x H3 x 1/2	-0,053
Total	<u>0,046</u>

Measurers Declaration:

I declare that I have measured this sail and it complies with all class rules.

Date of Measurement:

8/3/2024

Measurer's Name:

Frank Lavrsen

Appointed by:

Danish Sailing Association

Measurer's Signature:



Measurer's Stamp